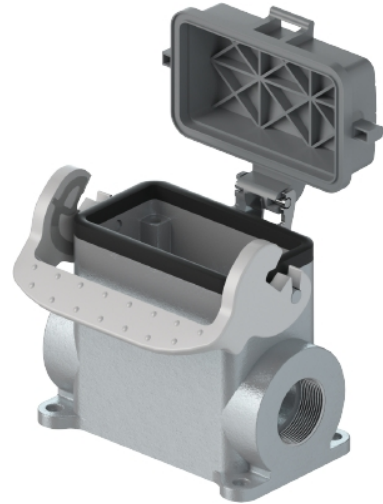


Data sheet

Commercial Art.No.: 76.342.1035.1

bottom BAS GUT GM 10HM25 50 A1

Bottom-base revos basic made of aluminum, with single locking lever and threaded hole M25 on the left side, low version, 10-polig



| | |
|--------------------|---------------|
| Commercial Art.No. | 76.342.1035.1 |
| EAN | 4015573843165 |
| Order Unit | 1 |

Technical data

general

| | |
|--|---------------------|
| housing material | aluminum |
| color | grey |
| surface | with powder coating |
| degree of protection (IP) | other |
| UV resistant | yes |
| flammability class of insulation material acc. with UL94 | other |
| operating temperature range min. | -40 °C |
| operating temperature range max. | 120 °C |

model

| | |
|------------------------|-------------------------|
| construction | 10 |
| model of the housing | surface mounting (base) |
| locking mechanism | single locking lever |
| cable entry | sideways |
| type of cable | thread |
| with cable screw gland | no |
| thread size M | 25 |
| thread size PG | |
| hinged lid | yes |
| EMC-version | no |
| length | 97 mm |
| width | 58 mm |
| height | 72 mm |

classification

| | |
|------------|----------|
| ECLASS 11 | |
| ECLASS 8.1 | 27440202 |
| ETIM 9.0 | EC000437 |
| ETIM 8.0 | EC000437 |
| ETIM 7.0 | EC000437 |
| ETIM 6.0 | EC000437 |
| ETIM 5.0 | EC000437 |
| ETIM 4.0 | EC000437 |
| ETIM 3.0 | EC000437 |

product compliance

| | |
|------------------------------|-----------|
| ROHS conformity status | compliant |
| REACH-SVHC conformity status | compliant |

Accessories

| Commercial Art.No.: | Article-type description: | Description: |
|----------------------------|----------------------------------|---------------------|
|----------------------------|----------------------------------|---------------------|

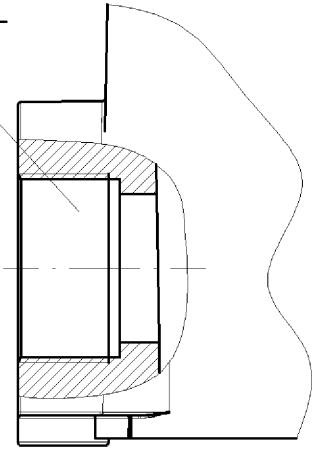
Ausführung .1
version .1

Gezeichnete Ausführung/version .0

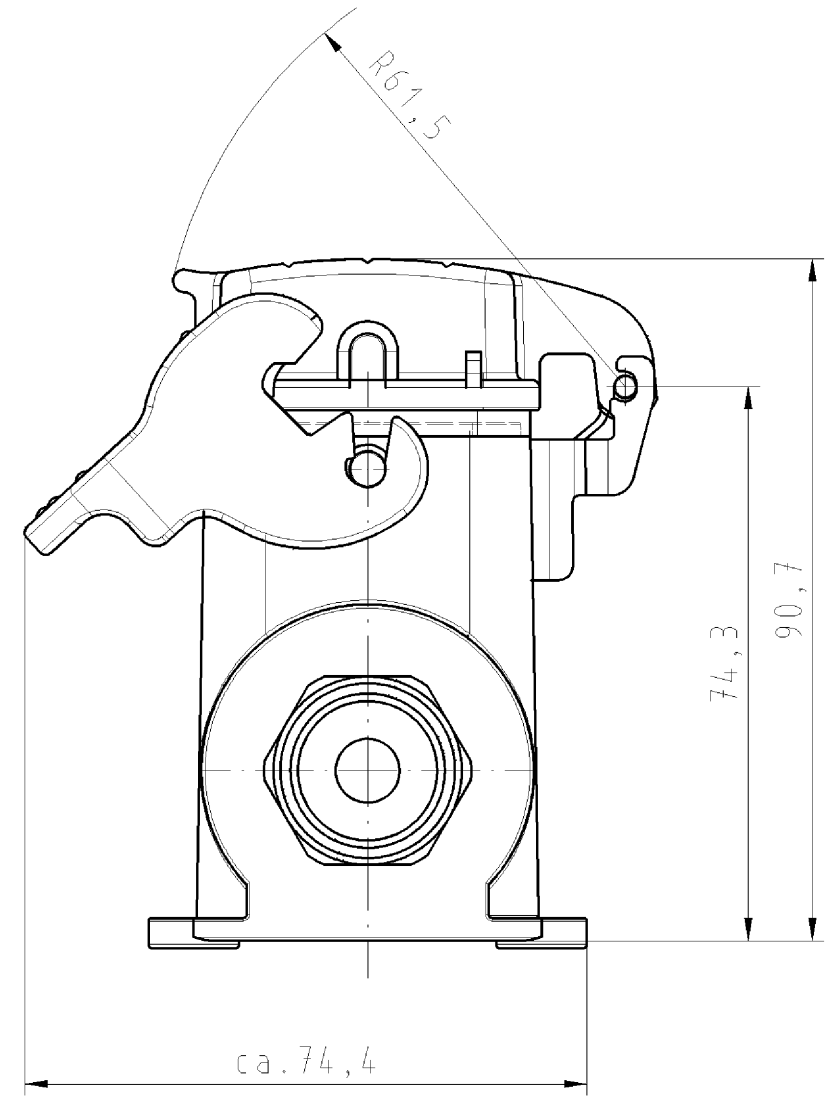
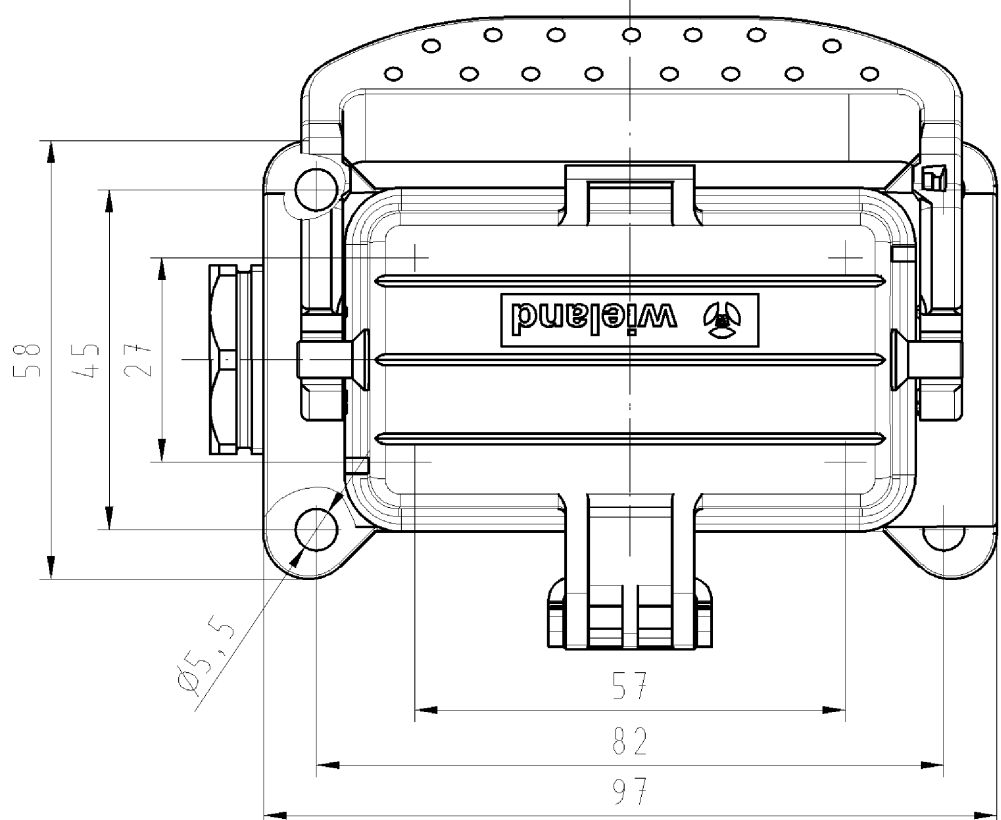
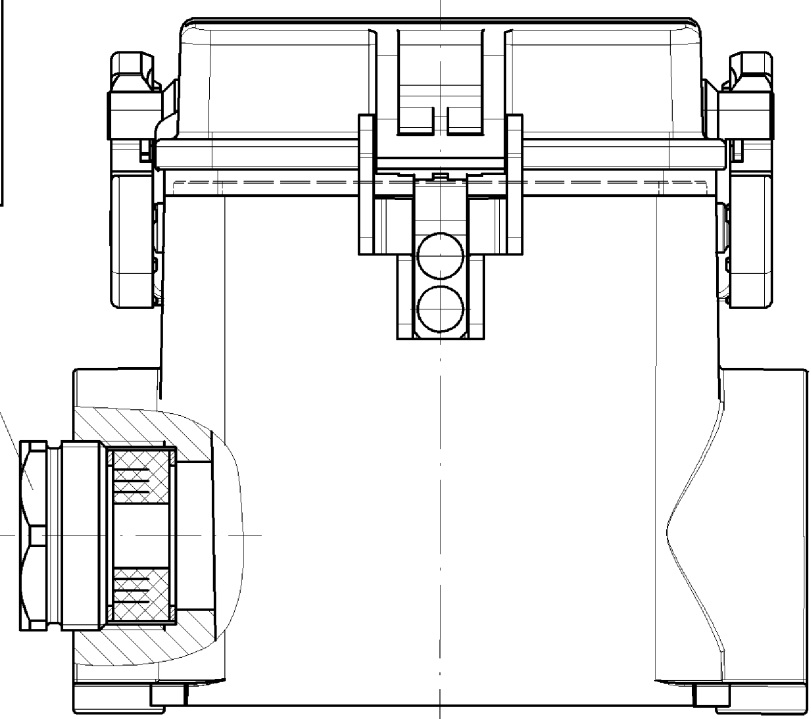
These dimensions will be especially checked at delivery
Only inspection dimensions
With /E marked dimensions are only valid for internal use

Diese Maße werden bei Abnahme besonders geprüft
Ausschließlich Prüfmaße
Mit /E gekennzeichnete Maße sind nur für interne Zwecke gültig

Gewinde M25
thread M25



Verschraubung M25
screw connection M25



Weitere Daten siehe Katalog
further data see catalog

| Teile-Nr. part-no. | TYP type |
|-----------------------|-------------------------|
| 76.342.1035.0 | BAS GUT GT 10HM25 50 A0 |
| 76.342.1035.1 | BAS GUT GT 10HM25 50 A1 |

| | | | | | | | |
|--|--|---|--|---|--|--|--|
| Tolerierung nach DIN 7167/Tolerance system acc. to DIN 7167. (This DIN-standard describes the envelope principle. According to the envelope principle the deviations of form and parallelism are limited by the size tolerances). | | | | ja/yes <input checked="" type="checkbox"/> Stoffverbots- und Deklarationsliste nach UU-TQM-05/03 ist einzuhalten. Conformity with Wieland document UU-TQM-05/03 (list of prohibited / declarable hazardous substances) to be declared! | | | |
| Freitoleranz nach General tolerance | | CAD - Zeichnung, keine manuellen Änderungen CAD - drawing, no manual modifications allowed | | 1. Verwendung: First Use: | | Blatt: 1 von 1 Sheet: of 1 | |
| / | | Werkstoff/Material | | 2008 Tag/Date Name | | Zeichnung Nr./Drawing No. Index | |
| / | | | | gezeichnet drawn 08.02. Duetsch T. | | T 76.342.1035.0 01K | |
| / | | Maßstab/Scale | | geprüft checked | | Maße in mm/Dimensions are in mm | |
| / | | % | | Nichtgepr. Stand. check | | | |
| / | | Vol. mm³ Ofl./Surf. mm² | | Ersatz für/Replacement for: - | | | |
| / | | wieland | | Type | | Benennung/Title | |
| / | | Elektrische Verbindungen | | s. Tabelle see table | | HOUSING GEHÄUSEUNTERTEIL | |
| Index Datum / Blatt Date / Sheet | | | | | | Größe/size 10 1x M25 mit Deckel/with cap hohe Bauform/increased height design | |
| Änderung/Revision | | | | | | | |

Weitergabe sowie Vervielfältigung dieses Dokuments, Verwertung und Mitteilung seines Inhalts sind verboten, soweit nicht ausdrücklich gestattet.
The reproduction, distribution and utilization of this document as well as the communication of its contents to others without express authorization is prohibited.

763421035001K_4_CADW1043_duetsch 2008-02-08T14:25:52 1.000